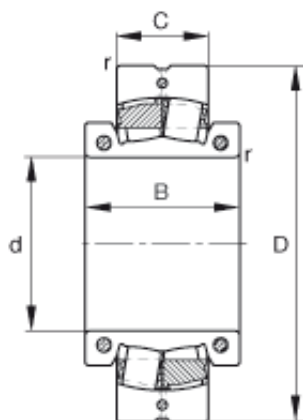




# IOR Bearing Manufacturing Co.,Ltd

## FAG 230S.1008 spherical roller bearings



Bearing No. 230S.1008

Size	266.7x420x106 mm
Bore Diameter	266,7 mm
Outer Diameter	420 mm
Width	106 mm
d	266,7 mm
d	10 1/2 inch
D	420 mm
C	106 mm
B	170 mm
$r_{min}$	4 mm
m	64,3 kg / Weight
$C_r$	1460000 N / Dynamic load rating (radial)
e	0,23
$Y_1$	2,95
$Y_2$	4,4
$C_{0r}$	2450000 N / Static load rating (radial)
$Y_0$	2,89
$n_G$	620 1/min / Limiting speed
$C_{ur}$	200000 N / Fatigue limit load, radial
$F_{a max}$	32000 N / Permissible axial load, for inner ring without axial abutment
$M_i$	120 Nm / Tightening torque per clamping screw

230S.1008 Bearing 2D drawings and 3D CAD models



## IOR Bearing Manufacturing Co.,Ltd

$M_a$	35 Nm / Tightening torque per clamping screw
	23056K / Designation, spherical roller bearing, unsplit
	H3056.1008
SNP3056.1008	Designation, adapter sleeve, US design