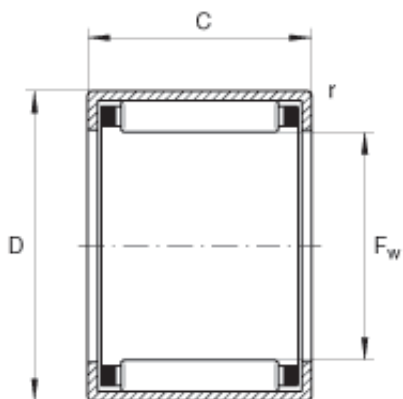




IOR Bearing Manufacturing Co.,Ltd



INA HK0606 needle roller bearings

Bearing No. HK0606

Size	6x10x6 mm
Bore Diameter	6 mm
Outer Diameter	10 mm
Width	6 mm
F_w	6 mm
D	10 mm
C - 6 mm / Tolerance: -0,3	6 mm / Tolerance: 0,3
r_{min}	0,4 mm
m	1,5 g / Weight
C_r	1610 N / Dynamic load rating (radial)
C_{0r}	1220 N / Static load rating (radial)
C_{ur}	167 N / Fatigue limit load, radial
n_G	36500 1/min / Limiting speed
n_B	28500 1/min / Reference speed

HK0606 Bearing 2D drawings and 3D CAD models