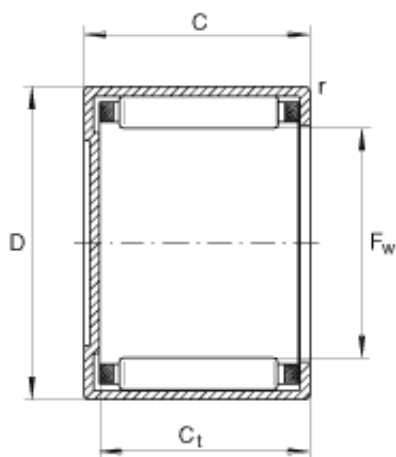




IOR Bearing Manufacturing Co.,Ltd



BK0509 Bearing 2D drawings and 3D CAD models

INA BK0509 needle roller bearings

Bearing No. BK0509

Size	5x9x9 mm
Bore Diameter	5 mm
Outer Diameter	9 mm
Width	9 mm
F_w	5 mm
D	9 mm
C - 9 mm / Tolerance: -0,3	9 mm / Tolerance: 0,3
$C_{t\min}$	7,4 mm
r_{\min}	0,4 mm
m	2,1 g / Weight
C_r	2400 N / Dynamic load rating (radial)
C_{0r}	1990 N / Static load rating (radial)
C_{ur}	239 N / Fatigue limit load, radial
n_G	39000 1/min / Limiting speed
n_B	32000 1/min / Reference speed
Category	Needle Non Thrust Roller Bearings
Inventory	0.0
Manufacturer Name	SCHAEFFLER GROUP
Minimum Buy Quantity	N/A
Weight / Kilogram	0.002
EAN	4012802436549
Product Group	B04144



IOR Bearing Manufacturing Co.,Ltd

Rolling Element	Needle Roller Bearing
Component	Roller Assembly with Outer Ring - No Inner Ring
Enclosure	Open
Self Aligning	No
Retainer	Yes
Number of Rows of Rollers	Single Row
Separable	No
Closed End	Yes
Inch - Metric	Metric
Relubricatable	No
Thrust Bearing	No
Long Description	5MM Bore; 9MM Outside Diameter; 9MM Width; Needle Roller Bearing; Roller Assembly with Outer Ring - No Inner Ring; Open; Not Self Aligning; Retainer; Single Row of Rollers; Not Separable; Closed End;
Other Features	1 Rib Outer Ring Drawn Cup Bearing Steel Cage
Category	Needle Non Thrust Roller Bearing
UNSPSC	31171512
Harmonized Tariff Code	8482.99.65.30
Noun	Roller Assembly with Outer Ring
Keyword String	Bearing Needle
Manufacturer URL	http://www.ina.com
Manufacturer Item Number	BK0509
Weight / LBS	0.004
Outside Diameter	0.354 Inch 9 Millimeter
Width	0.354 Inch 9 Millimeter
Bore	0.197 Inch 5 Millimeter



IOR Bearing Manufacturing Co.,Ltd