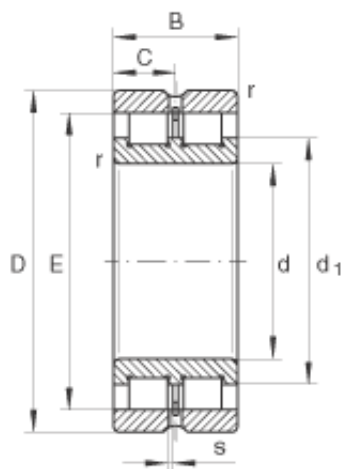




# IOR Bearing Manufacturing Co.,Ltd



## INA SL024934 cylindrical roller bearings

Bearing No. SL024934

Size	170x230x60 mm
Bore Diameter	170 mm
Outer Diameter	230 mm
Width	60 mm
d	170 mm
D	230 mm
B	60 mm
C	30 mm
d <sub>1</sub>	193,1 mm
E	215,08 mm
r <sub>min</sub>	2 mm
s	4 mm / Axial displacement
	NNCL4934V / Designation to DIN 5412
m	7,1 kg / Weight
C <sub>r</sub>	435000 N / Dynamic load rating (radial)
C <sub>0r</sub>	930000 N / Static load rating (radial)
C <sub>ur</sub>	114000 N / Fatigue limit load, radial
n <sub>G</sub>	1580 1/min / Limiting speed
Category	Cylindrical Roller Bearings
Inventory	0.0
Manufacturer Name	SCHAEFFLER GROUP
Minimum Buy Quantity	N/A
Weight / Kilogram	8.51

SL024934 Bearing 2D drawings and 3D CAD models



## IOR Bearing Manufacturing Co.,Ltd

EAN	4012802424645
Product Group	B04144
Bore Profile	Straight
Cage Material	None
Precision Class	RBEC 1   ISO P0
Number of Rows of Rollers	Double Row
Separable	Outer Ring - Both Sides
Rolling Element	Cylindrical Roller Bearing
Profile	Complete with Outer and Inner Ring
Snap Ring	No
Internal Clearance	C0-Medium
Retainer	No
Relubricatable	Yes
Inch - Metric	Metric
Other Features	Full Complement   3 Rib Inner Ring   Plain Outer Ring   Operating Temperature From -30 to 120 Deg
Long Description	170MM Bore; Straight Bore Profile; 230MM Outside Diameter; 60MM Width; RBEC 1   ISO P0; Double Row; Outer Ring - Both Sides Separable; No Snap Ring; Relubricatable; C0-Medium Internal Clearance; No Re
Category	Cylindrical Roller Bearing
UNSPSC	31171547
Harmonized Tariff Code	8482.50.00.00
Noun	Bearing
Manufacturer URL	<a href="http://www.ina.com">http://www.ina.com</a>
Manufacturer Item Number	SL024934
Weight / LBS	18.744



## IOR Bearing Manufacturing Co.,Ltd

Bore	6.693 Inch   170 Millimeter
Outside Diameter	9.055 Inch   230 Millimeter
Width	2.362 Inch   60 Millimeter