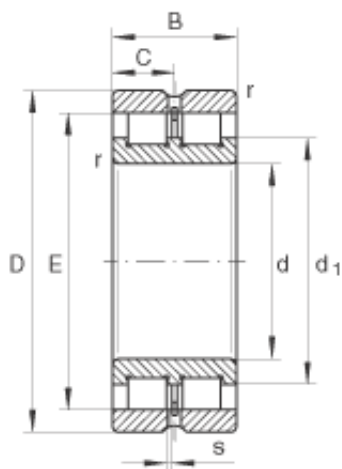




IOR Bearing Manufacturing Co.,Ltd



SL024916 Bearing 2D drawings and 3D CAD models

INA SL024916 cylindrical roller bearings

Bearing No. SL024916

Size	80x110x30 mm
Bore Diameter	80 mm
Outer Diameter	110 mm
Width	30 mm
d	80 mm
D	110 mm
B	30 mm
C	15 mm
d ₁	91,4 mm
E	100,78 mm
r _{min}	1 mm
s	1 mm / Axial displacement
	NNCL4916V / Designation to DIN 5412
m	0,85 kg / Weight
C _r	112000 N / Dynamic load rating (radial)
C _{0r}	206000 N / Static load rating (radial)
C _{ur}	30000 N / Fatigue limit load, radial
n _G	3550 1/min / Limiting speed
Category	Cylindrical Roller Bearings
Inventory	0.0
Manufacturer Name	SCHAEFFLER GROUP
Minimum Buy Quantity	N/A
Weight / Kilogram	1.02



IOR Bearing Manufacturing Co.,Ltd

EAN	4047643175005
Product Group	B04144
Bore Profile	Straight
Cage Material	None
Precision Class	RBEC 1 ISO P0
Number of Rows of Rollers	Double Row
Separable	Outer Ring - Both Sides
Rolling Element	Cylindrical Roller Bearing
Profile	Complete with Outer and Inner Ring
Snap Ring	No
Internal Clearance	C0-Medium
Retainer	No
Relubricatable	Yes
Inch - Metric	Metric
Other Features	Full Complement 3 Rib Inner Ring Plain Outer Ring Operating Temperature From -30 to 120 Deg
Long Description	80MM Bore; Straight Bore Profile; 110MM Outside Diameter; 30MM Width; RBEC 1 ISO P0; Double Row; Outer Ring - Both Sides Separable; No Snap Ring; Relubricatable; C0-Medium Internal Clearance; No Ret
Category	Cylindrical Roller Bearing
UNSPSC	31171547
Harmonized Tariff Code	8482.50.00.00
Noun	Bearing
Manufacturer URL	http://www.ina.com
Manufacturer Item Number	SL024916
Weight / LBS	2.244



IOR Bearing Manufacturing Co.,Ltd

Bore	3.15 Inch 80 Millimeter
Width	1.181 Inch 30 Millimeter
Outside Diameter	4.331 Inch 110 Millimeter