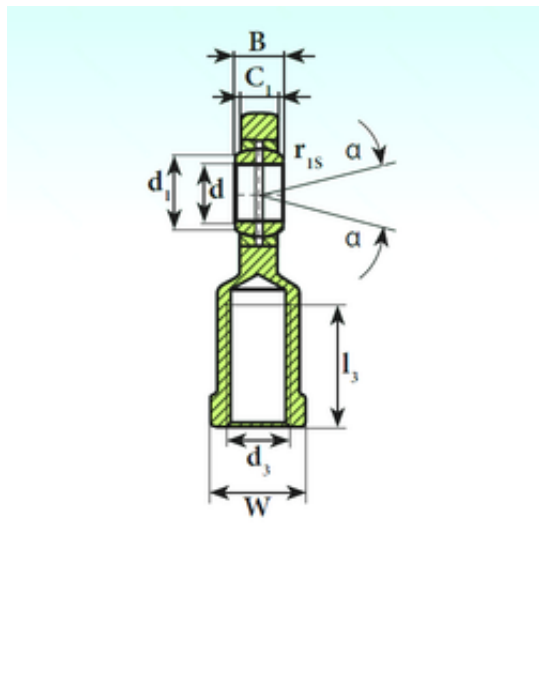




IOR Bearing Manufacturing Co.,Ltd



SI 60 ES Bearing 2D drawings and 3D CAD models

ISB SI 60 ES plain bearings

Bearing No. SI 60 ES

Size	60x90x44 mm
Bore Diameter	60 mm
Outer Diameter	90 mm
Width	44 mm
d	60 mm
D	90 mm
B	44 mm
d1	66,8 mm
d2	135 mm
d4	70 mm
dk	80 mm
h1	175 mm
l3 min.	73 mm
l4 max.	242 mm
l5	20 mm
l7 min.	75 mm
r min.	1 mm
C1	38 mm
W	75 mm
Thread (G)	M52x3
Angle	6 °
d5	88 r/min
Weight	5,9 Kg
Basic dynamic load rating (C)	245 kN