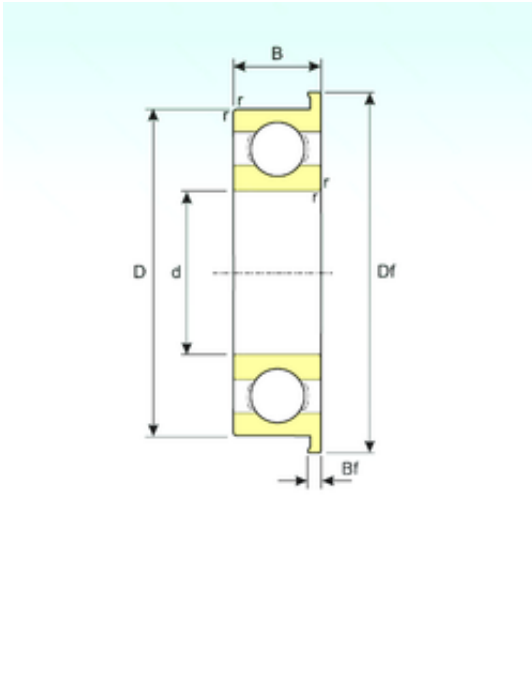




IOR Bearing Manufacturing Co.,Ltd



FR155 Bearing 2D drawings and 3D CAD models

ISB FR155 deep groove ball bearings

Bearing No. FR155

Size	3.967x7.938x2.779 mm
Bore Diameter	3,967 mm
Outer Diameter	7,938 mm
Width	2,779 mm
d	3,967 mm
D	7,938 mm
B	2,779 mm
C	2,779 mm
Bf	0,584 mm
Df	9,119 mm
r min.	0,1 mm
Basic dynamic load rating (C)	0,28 kN