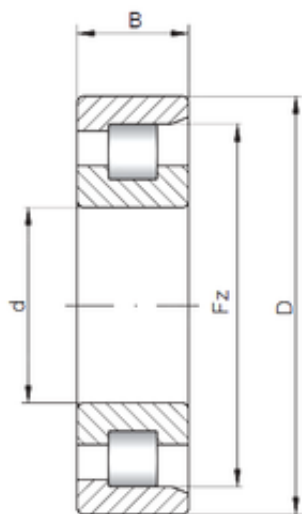




IOR Bearing Manufacturing Co.,Ltd



ISO NF3884 cylindrical roller bearings

Bearing No. NF3884

Size	420x520x75 mm
Bore Diameter	420 mm
Outer Diameter	520 mm
Width	75 mm
d	420 mm
D	520 mm
B	75 mm
C	75 mm

NF3884 Bearing 2D drawings and 3D CAD models