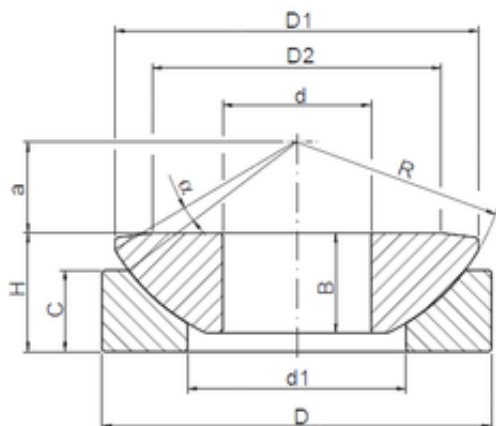




IOR Bearing Manufacturing Co.,Ltd

ISO GE15AW plain bearings

Bearing No. GE15AW



GE15AW Bearing 2D drawings and 3D CAD models

Size	15x42x15 mm
Bore Diameter	15 mm
Outer Diameter	42 mm
Width	15 mm
d	15 mm
D	42 mm
H	15 mm
a	10 mm
d1	24 mm
B	10,7 mm
C	11 mm
D1	38,9 mm
D2	29 mm
R	45 mm
Angle	7 °