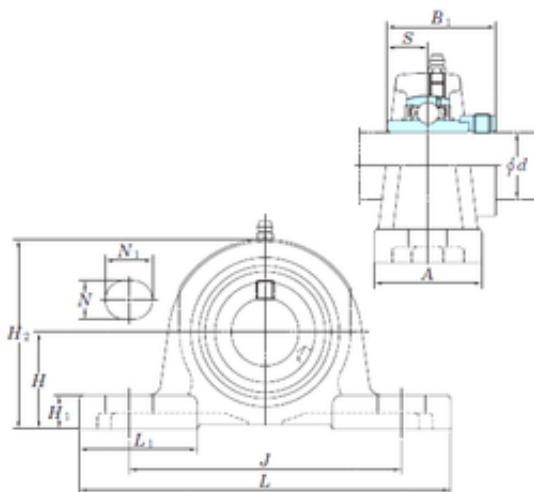




IOR Bearing Manufacturing Co.,Ltd

KOYO NAP209-26 bearing units

Bearing No. NAP209-26



NAP209-26 Bearing 2D drawings and 3D CAD models

Bore Diameter	41,275 mm
Width	54 mm
d	41,275 mm
A	54 mm
B1	56,3 mm
H	54 mm
H1	17 mm
H2	106 mm
J	146 mm
L	190 mm
L1	60 mm
N	17 mm
N1	21 mm
S	21,4 mm
Bolt (G)	M14
Weight	2,4 Kg
Basic dynamic load rating (C)	34,1 kN