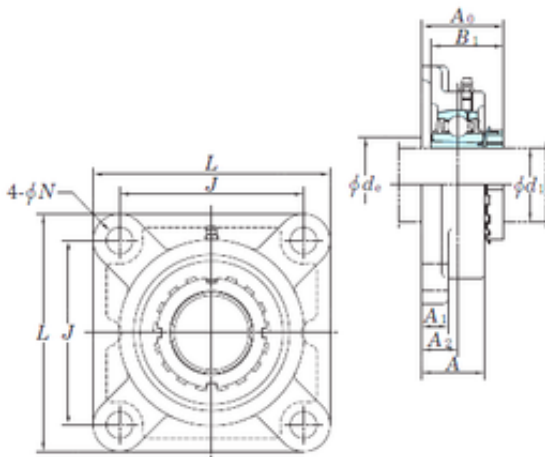




IOR Bearing Manufacturing Co.,Ltd

KOYO UKF213 bearing units

Bearing No. UKF213



UKF213 Bearing 2D drawings and 3D CAD models

Bore Diameter	60,325 mm
d	60,325 mm
A0	62 mm
d3	74 mm
A	50 mm
A1	22 mm
B1	50 mm
J	149 mm
L	187 mm
N	19 mm
Thread (G)	M16
A2	30 mm
Weight	5,1 Kg
Basic dynamic load rating (C)	57,2 kN
Basic static load rating (C0)	40,1 kN