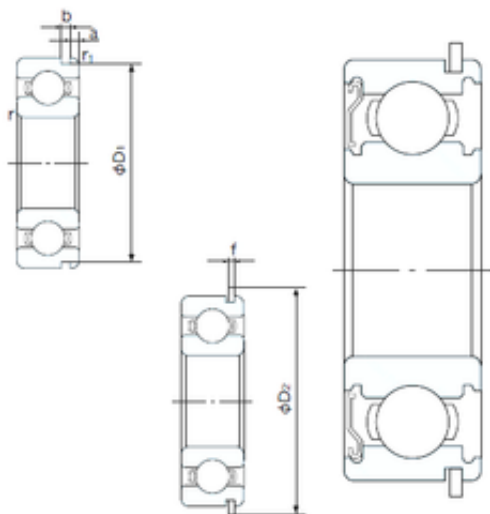




# IOR Bearing Manufacturing Co.,Ltd



## NACHI 6011ZENR deep groove ball bearings

Bearing No. 6011ZENR

Size	55x90x18 mm
Bore Diameter	55 mm
Outer Diameter	90 mm
Width	18 mm
d	55 mm
D	90 mm
B	18 mm
C	18 mm
a	2.87 mm
b	2.7 mm
f	2.46 mm
r min.	1.1 mm
r1 min.	0.5 mm
D1	86.79 mm
D2	96.5 mm
Weight	0.375 Kg
Basic dynamic load rating (C)	28,3 kN
Basic static load rating (C0)	21,3 kN
(Grease) Lubrication Speed	7500 r/min
Category	Single Row Ball Bearings
Inventory	0.0
Manufacturer Name	NACHI
Minimum Buy Quantity	N/A
Weight / Kilogram	0
Product Group	B00308
Enclosure	1 Metal Shield

6011ZENR Bearing 2D drawings and 3D CAD models



## IOR Bearing Manufacturing Co.,Ltd

Precision Class	ABEC 1   ISO P0
Maximum Capacity / Filling Slot	No
Rolling Element	Ball Bearing
Snap Ring	Yes
Internal Special Features	No
Cage Material	Steel
Internal Clearance	C0-Medium
Inch - Metric	Metric
Long Description	55MM Bore; 90MM Outside Diameter; 18MM Outer Race Width; 1 Metal Shield; Ball Bearing; ABEC 1   ISO P0; No Filling Slot; Yes Snap Ring; No Internal Special Features; C0-Medium Internal Clearance; Stee
Other Features	Deep Groove   With Snap Ring
Category	Single Row Ball Bearing
UNSPSC	31171504
Harmonized Tariff Code	8482.10.50.68
Noun	Bearing
Keyword String	Ball
Manufacturer URL	<a href="http://www.nachi-america.com">http://www.nachi-america.com</a>
Outside Diameter	3.543 Inch   90 Millimeter
Inner Race Width	0 Inch   0 Millimeter
Bore	2.165 Inch   55 Millimeter
Outer Race Width	0.709 Inch   18 Millimeter
Bore Type	Cylindrical Bore
Configuration	Single Row
Bore Size	55 mm
Width	18 mm



## IOR Bearing Manufacturing Co.,Ltd

Fillet Radius/Chamfer	1.1 mm
r1	0.5 mm
Snap Ring Width	2.5 mm
Snap Ring Outside Diameter	96.5 mm
D1 (max)	86.8 mm
a (max)	2.9 mm
b (min)	2.7 mm
Dynamic Load Rating	28,300 N
Static Load Rating	21,300 N
Limiting Speed - Grease	7,700 rpm
Limiting Speed - Oil	9,000 rpm
Factor fo	15.4
Radial Clearance	0.008 to 0.028 mm
da (min)	61 mm
Da (max)	84 mm
Dx (min)	98 mm
ra (max)	1 mm
Cy (max)	5 mm