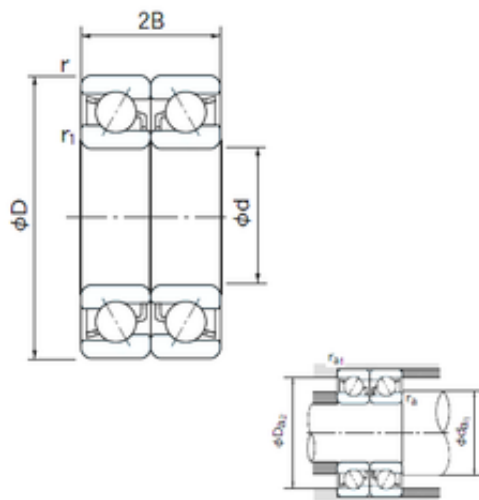




IOR Bearing Manufacturing Co.,Ltd



7030CDB Bearing 2D drawings and 3D CAD models

NACHI 7030CDB angular contact ball bearings

Bearing No. 7030CDB

Size	150x225x35 mm
Bore Diameter	150 mm
Outer Diameter	225 mm
Width	35 mm
d	150 mm
D	225 mm
B	35 mm
C	35 mm
Angle (°)	15 °
a	4.1 mm
r min.	2.1 mm
r1 min.	1.1 mm
2B	70 mm
da min.	159 mm
Da max.	219 mm
ra max.	1 mm
Weight	4.42 Kg
Basic dynamic load rating (C)	247 kN
Basic static load rating (C0)	340 kN
(Grease) Lubrication Speed	3400 r/min
Bore Type	Cylindrical Bore
Enclosure	Open
Configuration	Duplex
Bore Size	150 mm
Outside Diameter	225 mm
Width	35 mm



IOR Bearing Manufacturing Co.,Ltd

Fillet Radius/Chamfer	2.1 mm
r1	1.1 mm
Dynamic Load Rating	247,000 N
Static Load Rating	340,000 N
Limiting Speed - Grease	3,400 rpm
Limiting Speed - Oil	4,700 rpm
da1 (min)	159 mm
da2 (min)	159 mm
Da1 (max)	216 mm
Da2 (max)	219 mm
ra (max)	2 mm
ra1 (max)	1 mm