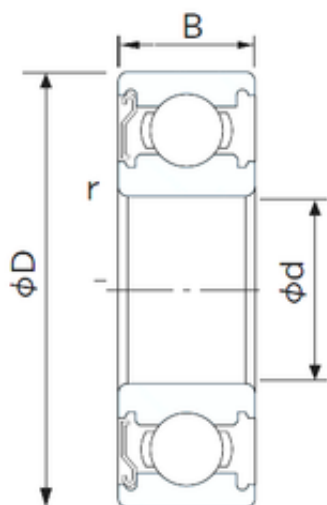




IOR Bearing Manufacturing Co.,Ltd



NACHI 6217Z deep groove ball bearings

Bearing No. 6217Z

Size	85x150x28 mm
Bore Diameter	85 mm
Outer Diameter	150 mm
Width	28 mm
d	85 mm
D	150 mm
B	28 mm
C	28 mm
r min.	2 mm
da min.	95 mm
Da max.	140 mm
ra max.	2.0 mm
Weight	1.79 Kg
Basic dynamic load rating (C)	84 kN
Basic static load rating (C0)	62 kN
(Grease) Lubrication Speed	4200 r/min

6217Z Bearing 2D drawings and 3D CAD models