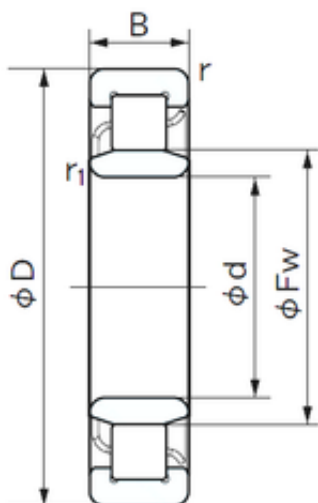




IOR Bearing Manufacturing Co.,Ltd



NACHI NU 2204 E cylindrical roller bearings

Bearing No. NU 2204 E

Size	20x47x18 mm
Bore Diameter	20 mm
Outer Diameter	47 mm
Width	18 mm
d	20 mm
Fw	26.5 mm
D	47 mm
B	18 mm
r min.	1 mm
r1 min.	0.6 mm
Weight	0.162 Kg
Basic dynamic load rating (C)	30,5 kN
Basic static load rating (C0)	28,3 kN
(Grease) Lubrication Speed	13000 r/min

NU 2204 E Bearing 2D drawings and 3D CAD models