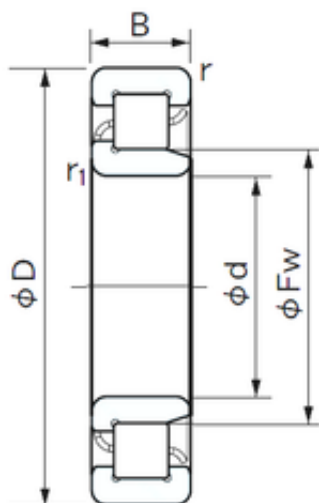




IOR Bearing Manufacturing Co.,Ltd



NACHI NJ 234 cylindrical roller bearings

Bearing No. NJ 234

Size	170x310x52 mm
Bore Diameter	170 mm
Outer Diameter	310 mm
Width	52 mm
d	170 mm
Fw	208 mm
D	310 mm
B	52 mm
r min.	4 mm
r1 min.	4 mm
Weight	17.9 Kg
Basic dynamic load rating (C)	475 kN
Basic static load rating (C0)	635 kN
(Grease) Lubrication Speed	1800 r/min

NJ 234 Bearing 2D drawings and 3D CAD models