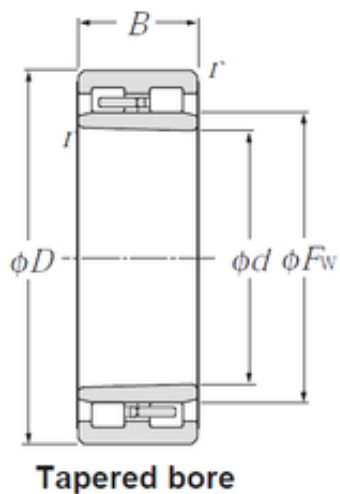




IOR Bearing Manufacturing Co.,Ltd



NTN NNU4952K cylindrical roller bearings

Bearing No. NNU4952K

Size	260x360x100 mm
Bore Diameter	260 mm
Outer Diameter	360 mm
Width	100 mm
d	260 mm
Fw	292 mm
D	360 mm
B	100 mm
C	100 mm
r min.	2,1 mm
Weight	28,3 Kg
Basic dynamic load rating (C)	900 kN
Basic static load rating (C0)	2 070 kN
(Grease) Lubrication Speed	1 600 r/min

NTN NNU4952K Bearing 2D drawings and 3D CAD models