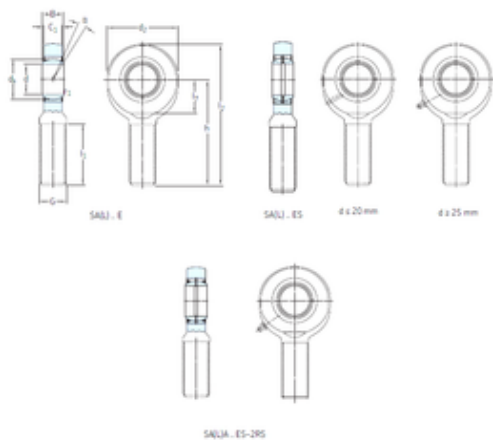




IOR Bearing Manufacturing Co.,Ltd



SKF SAL50ES-2RS plain bearings

Bearing No. SAL50ES-2RS

Bore Diameter	50 mm
d	50 mm
d2	114 mm
dk	66 mm
h	195 mm
l1 min.	110 mm
l2 max.	254 mm
l7 min.	58 mm
r1 min.	0,6 mm
B	35 mm
C1	31 mm
Thread (G)	M52x3 Tolerance 6g
Angle	6 °
Weight	3,9 Kg
Basic dynamic load rating (C)	156 kN

SAL50ES-2RS Bearing 2D drawings and 3D CAD models