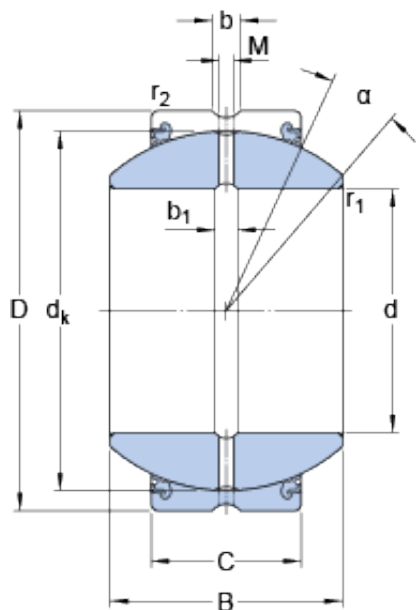




IOR Bearing Manufacturing Co.,Ltd

SKF GEZH 200 ESX-2LS plain bearings

Bearing No. GEZH 200 ESX-2LS



GEZH 200 ESX-2LS Bearing 2D drawings and 3D CAD models

Size	90.488x50.8x52.578 mm
Bore Diameter	90,488 mm
Outer Diameter	50,8 mm
Width	52,578 mm
d	50.8 mm
D	90.488 mm
B	52.578 mm
C	42.85 mm
	8 °
d _k	82.169 mm
b	5.7 mm
b ₁	5 mm
M	4 mm
r ₁ - min.	1.5 mm
r ₂ - min.	1 mm
d _a - min.	57.5 mm
d _a - max.	63.1 mm
D _a - min.	79 mm
D _a - max.	85.3 mm
r _a - max.	1.5 mm
r _b - max.	1 mm
Basic dynamic load rating - C	425 kN
Basic static load rating - C ₀	850 kN
Specific factor dinamic load - K	150 N/mm ²



IOR Bearing Manufacturing Co.,Ltd

Specific factor static load - K_0	300 N/mm ²
Constant - K_M	330
Lubricant	Maintenance free – greased for life
Design (sliding contact surface combination)	Steel/steel
Sealing solution	Triple-lip seals
	8 °
d_k	82.169 mm
b_1	5 mm
r_1 min.	1.5 mm
r_2 min.	1 mm
d_a min.	57.5 mm
d_a max.	63.1 mm
D_a min.	79 mm
D_a max.	85.3 mm
r_a max.	1.5 mm
r_b max.	1 mm
Basic dynamic load rating C	425 kN
Basic static load rating C_0	850 kN
Specific dynamic load factor K	150 N/mm ²
Specific static load factor K_0	300 N/mm ²
Material constant K_M	330
Mass plain bearing	1.6 kg